

Grape harvesters
Rows from 1.6mt
GREGOIRE GL7 - GL8

GREGOIRE

PASSEZ À L'AVENIR*

The future of
harvesting

GL7
GL8



* SHIFT TO THE FUTURE



During the years GREGOIRE has been able to develop its products to meet all of your harvesting and vine conditioning requirements.



40 years of experience

GREGOIRE offers a wide range of vineyard maintenance tools; sprayers and self propelled or trailed harvesters for grapes and olives. The main qualities of the GREGOIRE product range are performance, reliability and low maintenance costs. These key qualities make GREGOIRE the preferred supplier even for the most demanding end users.

The GREGOIRE product range is distributed and serviced via a worldwide network of distributors which are trained to provide professional advice and a top class after sales service.

Staying close to our customers has allowed us to develop according to the customer requirements

GREGOIRE has obtained a leading position in nearly all grape growing countries in the world.

Choosing GREGOIRE means choosing the most reliable and highest quality supplier in mechanization of grapes and olives

Summary

A mass of innovations	p.4
Tractor base	p.6
Engines	p.8
Transmission	p.10
Welcome to first class	p.12
Direct your operations	p.14
Driver assistance	p.16
Connected harvest	p.18
ARC ² picking head	p.20
Scales & conveying	p.22
Cleaning & sorting	p.24
Stocking	p.26
Access and maintenance	p.28
Technical data	p.30

1978, GREGOIRE
GH Hydraulic
Proven reliability

1989, GREGOIRE ARC
Worldwide recognized as the
softest picking head on the market

2009, G7, G8
Shift to the future

2016, G4, G5
Narrow vine specialist



A mass of innovations

New technologies and connectivity marks a new era within the vineyard industry. **GREGOIRE** offers two new harvester models, the **GL7** and **GL8**. These new harvester models are specifically designed to use the new technology available today but retaining the key values of the brand :

1. Picking quality
2. Ease of use
3. Low maintenance cost.

GL7 and **GL8** models are designed to work in vineyards with minimum row spacing of 1,6 meters. Not only you can use the **GL7** and **GL8** to harvest your grapes you can utilise the machine during other periods of the year as the tractor base can be equipped with a front tool carrier for trimming/pruning or utilised as a dedicated spraying unit using the machines ISOBUS functionality.

GREGOIRE GL7 and **GL8** brings you major innovation that is already recognised and rewarded by the industry with **AUTOpinch**, **NEOmap** and **EASYpilot**.

Discover the new **GREGOIRE GL7** and **GL8**.....

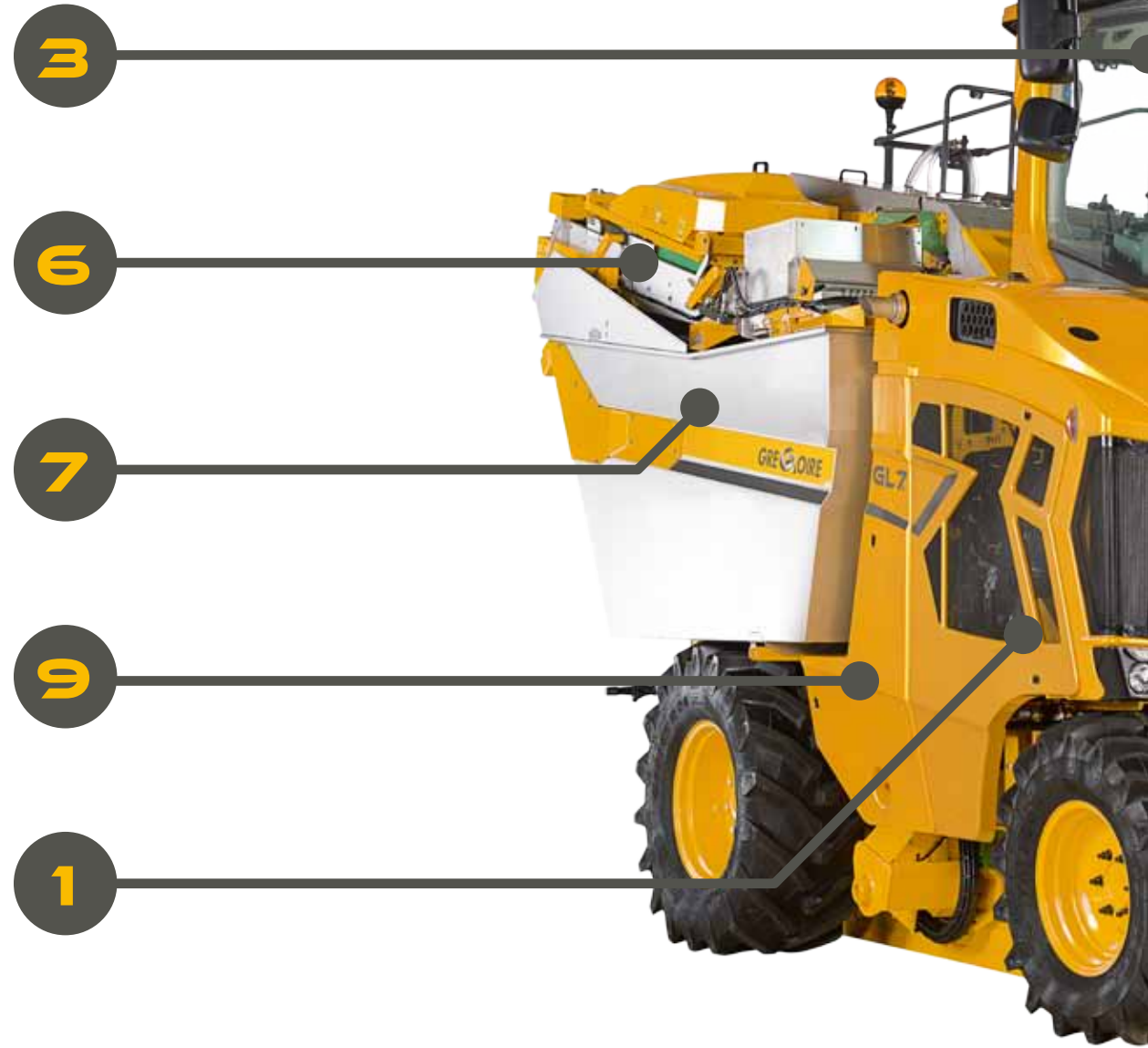
Autopinch



NEOmap



EASYpilot





8

1. DEUTZ 4 cylinders diesel engine , 156 HP (**GL7.4 & GL8.4**) or 6 cylinders 190 HP (**GL8.6**) with automatic rpm management and Tier 4 final standard : **efficient fuel consumption**

2. Hydrostatic transmission with 4 automatic wheels drive : **power**

4

3. Superb comfort central cab, spacious and soundproofed, 3 storage compartments, CAT4 & ROPS4 cab standards : **comfort**

4. Side command console equipped with the **i-Monitor** (12 inches) touch screen and multifunction joystick manage by impetus : **simplicity of use**

5

5. Double pendulum picking head **ARC²** : **suppleness**

6. **EASYclean** on board sorting system : **99,8% cleaning quality on bins : cleanliness**

7. Large bins capacity (Up to 4000 liters) with high tipping point (3 meter min): **autonomy**

2

8. Connected tools (optional) : **EASYpilot** (Automatic row following), **NEOmap** (Yield monitoring), **NEOmass** (On board weighing system), **NEOtrack** (row tracing system) : **Control**

9. Easy access (over 20 hoods and trapdoors), tilting and foldable access ladder (25°), oversized top platform : **accessibility**

GL7 & GL8

Tractor base



This is the harvester's backbone as it brings together all machine systems and controls (Engine, commands, cab,...).

GL7 and **GL8** tractor base are versatile and can be adapted for multi purpose works throughout the year.

GL7
GL8



Versatility throughout the year

GL7 and **GL8** can be equipped with front vine conditioning tools and multi rows spraying unit. Tool recognition is automatic thanks to the ISOBus technology. Tools and spraying units are directly controlled by the harvester commands and joystick. Coupling/ Uncoupling of multifunction tools is simple and quick thanks to the centralized electric and hydraulics connections.



Fuel tank capacity to give a full days work

GL7 and **GL8** incorporate a polythene fuel tank, light, with large capacity. Allowing a high fuel autonomy during harvest or multifunction works. Tank positioning is purposely low to improve the center of gravity and agility of the machine. Combined with **DEUTZ** engines already known for their fuel efficiency, the **GL7** and **GL8** offers higher performance and increased profitability.

Fuel tank capacity :

- **Gazole** : 260 l
- **AdBlue®** : 20 l

Automatic slope correction for extreme conditions

GL7 and **GL8** are equipped with the latest generation of automatic slope management allowing a fast slope correction and higher reactivity. The driver always take precedence over the automatic mode.

With a **600mm** levelling the **GL7** and **GL8** can perform without difficulties even with tough ground conditions and slopes



Steering and turning radius with high manoeuvrability

The new steering system without spreader allows a precise and soft maneuverability even in most restricted area. Very compact, it offers perfect visibility to the front of the machine and the two front wheels. The front lifting cylinders are integrated inside the front columns, this allows clear entrance to the picking tunnel eliminating the pulling of canes. Tight steering radius on both models (**GL7** : 3,75m, **GL8** : 4m) for an unrivaled maneuverability .



Engines



GL7 and **GL8** are equipped with Stage4 / Tier 4 Final engine that complies with all new emissions standards. Coming from a long partnership with **DEUTZAG** the **GL7** and **GL8** are fitted with best engines available on the market. These latest generation engines from **DEUTZ AG** come standard with automatic engine rpm management, reducing noise levels and improving fuel efficiency

Automatic Rpm management



GL7 and **GL8** are equipped with an automatic engine rpm management. According to oil flow needs (running vine tools, vehicle speed, machine load ..) engine rpm will adapt automatically to always supply the required power. That smart management guarantees a precise and controlled fuel consumption. It also guarantees your security with slope correction reactivity being optimized in difficult ground conditions.

In road mode engine revs will stabilize automatically once required speed is reached resulting in low fuel consumption

Technology respecting the environment

The DEUTZ AG Tier 4 final engine offers a large power capacity and use emission systems that meet the latest environmental standards.

Technologies used on **GREGOIRE** tractor base are :

- An electronic engine management (DEUTZ EMR4)
- Common rail high pressure fuel injection (DEUTZ Common Rail – DCR®)
- Turbo for a maximum torque at low engine speed (lower fuel consumption and reduction of polluting emission)
- EGR valve
- Diesel Particulate Filter with DOC (Diesel Oxidation Catalyst)
- SCR (Selective Catalytic Reduction) AdBlue®

T4F



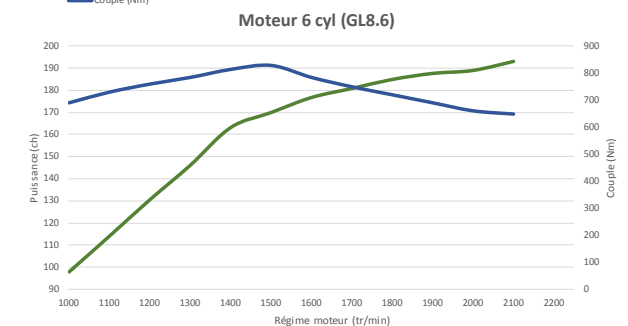
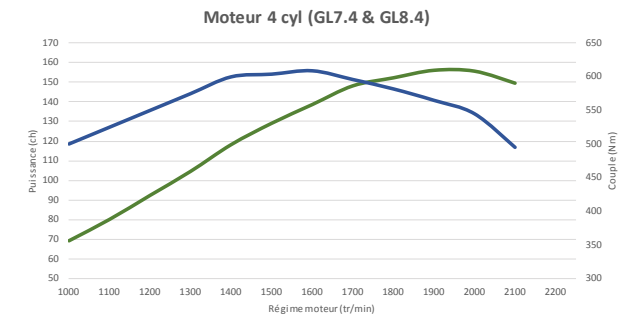
Model	GL7.4	GL8.4	GL8.6
Power	156 hp	156 hp	190 hp
Capacity	4100 cm ³	4100 cm ³	6100 cm ³
Nbr of cylinder	4	4	6



High torque with low revs

4 cylinder engines (156 hp) are fitted on **GL7.4** and **GL8.4** models. This engine delivers a comfortable and constant power offering an optimized fuel consumption. Maximum torque is available at 1600 rpm (609 Nm), giving the possibility to use the machine with low engine rpm.

6 cylinders engines (190 hp) are fitted on **GL8.6**. This offers an exceptional and constant torque from 1300 rpm (maximum torque at 1500 rpm : 825 Nm), proud of traction capacity with low engine rpm and also high torque reserve. Power delivered is also impressive (maximal power : 190 hp)





Transmission

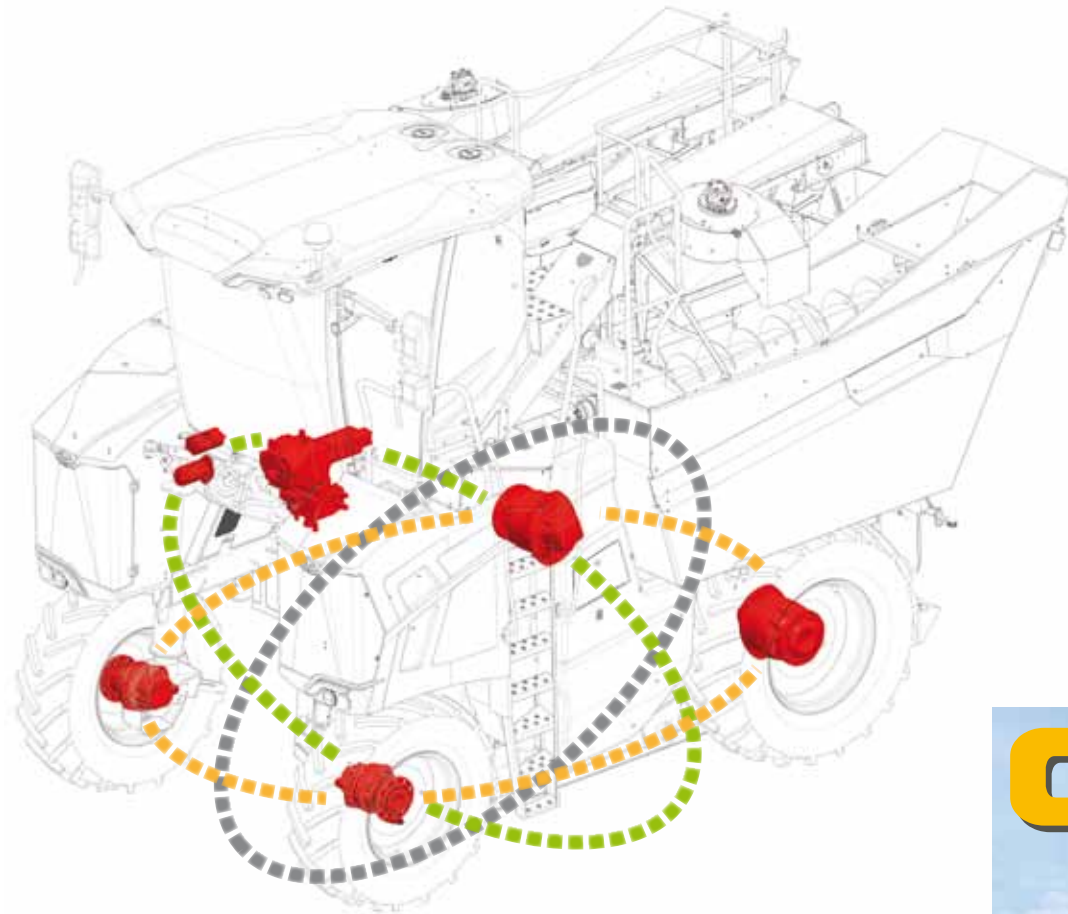
GL7 and **GL8** integrates a powerful and innovative wheel transmission that allows you to confront all kinds of vineyard configurations, slopes, grounds and climatic situations.

Exclusive transmission management

GL7 and **GL8** offers an exclusive forward speed management. Speed can be adjusted 3 different ways : by 0,2 km/h impulse, continuous pressure (acceleration) or using the approach mode.

Approach mode (**GREGOIRE** exclusivity) offers extreme driving precision during difficult maneuvers by applying pressure on the joystick and the inverter contactor

Those different management options allow you to adapt your driving according to your preferences.



Wheel Drives

Hydrostatic transmission is composed of POCLAIN wheel drive motors with double motor size (For work & road mode). New wheels drive motor generation offers a new power reference (+28%).

Power of hydraulic

GL7 and **GL8** get an hydrostatic transmission supplied by latest pump technology (+13% increased cubic capacity). The Twinlock system continuously and automatically manages driving anti-skid, efficiently supplying power to the 4 wheels drive. The **GL7** and **GL8** performs on the most demanding of ground conditions.



AUTOspeed perfectly manages the working speed whatever the ground conditions. The dedicated command on the joystick allows to easily restore the speed originally set. A steady working speed is guaranteed for optimal picking results.



Road mode

When road mode is selected on the **GL7** and **GL8** all 4 wheels are driving for best driving comfort and optimal road holding. These models are homologated up to 25 km/h and engine rpm is automatically managed according to required speed thanks to automatic engine rpm management resulting in low fuel consumption and reduced noise levels.



Welcome to first class

Well known to be equipped with the largest cab on the market. **GREGOIRE** machines also offer you an unequalled comfort and secured working station. When harvesting with around the clock picking **GREGOIRE** has designed it's cab with special care focusing on a large working space, wide screen surface, upgraded soundproofing, reinforced safety and driver ergonomics



Cabin ROPS

(Roll Over Protection Structure)

Your safety being the priority, the cab meets latest **OCDE ROPS** standard. Those standard certify that cabs integrate a anti-crushing structure in case of machine rollover. Besides the central position of the cab this guarantees optimum safety.



Welcome on board !

A single press on the offset opening switch will :

- Open out the electrically inclined ladder
- Lighten the cab door sill
- Start the **i-Monitor** screen

For increased safety, the ladder will automatically fold in up to 0,3 km/h.

GL7 and **GL8** are equipped with the most comfortable cab :

- Central cab
- Pneumatic seat great comfort with security belt
- Steering wheel column that is fully adjustable
- Electric mirrors
- Joystick and arm rest integrated to seat
- Automatic air-conditioning
- Bluetooth radio station with USBx2
- Cab door sill lightening (for night works)
- 3 storage compartments (including one cooling compartment)
- 3 shades (Front, right and rear) to protect drivers to direct sun exposure and disturbing reflection.
- Quality design and material



Glazed surface

The large glazed surface offers a perfect visibility with over 360°, giving comfort and safety.

Specific windscreen curvature gives maximum cab space and eliminates blind spots.



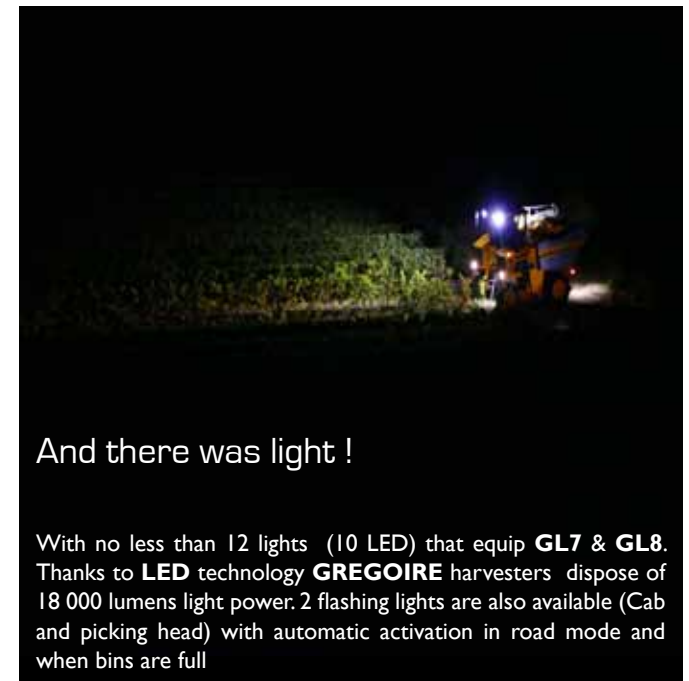
Connectivity

The Bluetooth radio enables you to communicate with others staying focus on your pick with total safety

A breath of fresh air



To meet last driver protection standard **GL7 & GL8** offer **CAT4** cab (Optional). The **CAT4** cab protect you against dust, aerosol and fumes thanks to its active charcoal filters, its air renewal (30m³/h) and pressurization 20 Pa (over pressurization indicator)



And there was light !

With no less than 12 lights (10 LED) that equip **GL7 & GL8**. Thanks to **LED** technology **GREGOIRE** harvesters dispose of 18 000 lumens light power. 2 flashing lights are also available (Cab and picking head) with automatic activation in road mode and when bins are full



Green Blue:
free
configuration

Yellow, 1, 2:
tools, picking head,
belts...

P1, P2 black:
headlands
sequencing

Violet:
dévers et
hauteur

Stop: tool/function
pre-activation

**Adjustment wheel +
shortcut**

Direct your operations

The control panel is the unique interface between you and your machine. It has to be simple, ergonomic, intuitive and easy to reach.

GL7 and **GL8** perfectly integrates the latest technologies for easy use to make sure you use the machine to its full potential.

Forward speed control
Easy and precise

GL7 and **GL8** Exclusive transmission management.

Joystick offers an innovative combination of the forward speed control : by impulse, a continuous push or using the approach mode for an absolute precision.

This technology combination brings a amazing driving experieince with the ease of maneuvering even is the most narrow and tight areas.

Joystick could be rotate, allowing a perfect adaptation to your morphology and preference.

Control is yours !

GL7 and **GL8** has integrates a touch screen **i-Monitor** (12"), the largest on the market. For more efficiency, data is gathered on an unique control point. With the use of intuitive pictograms making it easy to understand and superb backlighting allowing you to adjust to your needs for a pleasant nights work.

The **i-Monitor** centralize all picking head and tractor base information eliminating 2 screens. You can finger slide one of the miniviews to access advanced features. All setting are user adaptable : from the button on the joystick, to the foldable ladder parameters.



Data storage

Touch screen **i-Monitor** integrates a large number of data storage for record, reuse, analysis. Named plot data record and harvester settings, high storage, USB extraction, and reuse.

Isobus



i-Monitor is **ISOBUS** certified. It will automatically and immediately identify the connected **ISOBUS** tool to **GL7** and **GL8**. This feature avoids using additional control screens when a tool is connected..

Headland sequencing

GL7 and **GL8** comes with headlands sequencing which is fully adjustable and nominative.

All machines parameters can be integrate d for row entry and exit of row with you controlling how you want the machine to be set determining of the the job on hand.



Driver assistance

Central position of the cab allows a perfect alignment on the row. 360° glazed surface for a perfect visibility. Floor glass permits the driver to check picking tunnel entrance and allows good centering onto the row. Bin filling is checked in real time. U-turn maneuvers can be made for both the left or right.

With the central driving cab fitted it enables an oversize rear platform to be integrated. This allows the operator to do maintenance checks in total safety.

Automatic lifting (option)

Thanks to that system you don't have any more to worry about machine height.

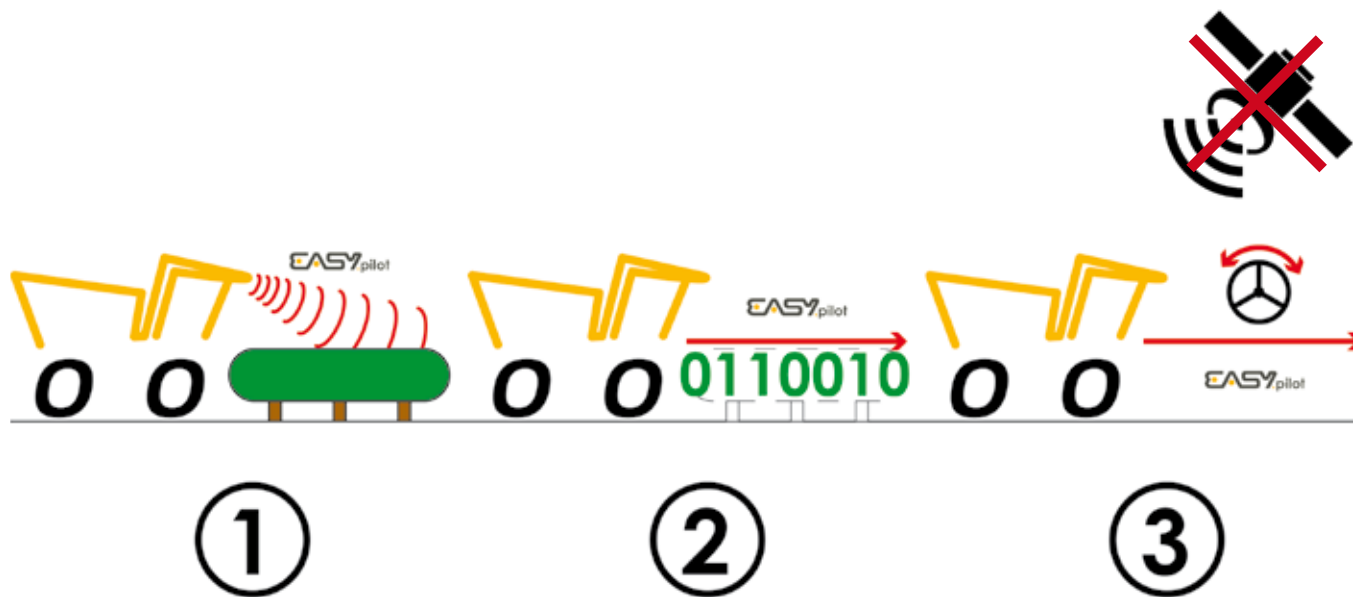
Automatic lifting is easily achieved thanks to height feeler located on both side of the picking head conveyors.



EASY.pilot



Thanks to **EASYpilot** the harvester is automatically centered on the vine row without you having to correct the steering. Using a telemetric 3D camera, **EASYpilot** operates throughout the year whatever the vegetation conditions and job to be done (Multifunction, Harvesting or Spraying). Day or night, automatic guidance of the machine is achieved. Contrary to a GPS guided system, **EASYpilot** can be use in a plot not covered by GPS signal. Perfect centering on the row is a guarantee of optimal picking quality



EASY.turn

EASYturn enables the steering wheels revolutions from lock to lock reduced, thus enabling quicker U turns. Combined with EASYpilot, the **GL7 & GL8** achieves quick and flowing maneuvers and a perfect row tracing.

Perfect centering !

Ingenious alignment LED integrated to cab mount gives you additional monitoring to perfectly center the machine on the row and guarantee you the utmost picking quality.



EASY.360

GL7 & GL8 are equipped with two cameras.

A **360° camera** (option) broadcasted on an additional color screen provide a complete visualization of the machine and surrounding. It removes all blind angles and secure the machines and operators during headland, bin dumping, storage maneuvers.

Connected harvest

The Farming industry has experienced fundamental changes and grape growers need today more data and information to make the right decisions at the right time to get the best quality and yield. The **GL7** and **GL8** helps you makes these decisions with the new technology available.

Mapping technology

The **AGROSKY SR-10 GPS** receiver can offered as an option and can be mounted on the cab roof . This will map data necessary to **NEOmap** and **NEOtrack**.



NEOtrack

Row processed tracking



NEOtrack eases night work or spraying operation allowing you to monitor work. Each row processed is colored on the screen eliminating the risk of missing the row.



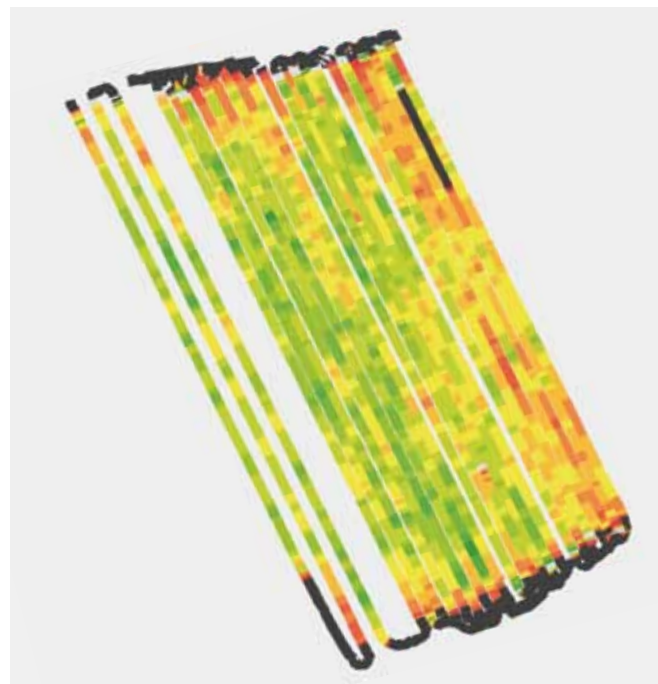
NEOmass

On board weighing



GL7 and **GL8** integrates as an option the **NEOmass** weighting system. The on board weighing sensors permit to measure the quantity of harvest picked and gives the driver information such as harvest weight in the bins (before dumping) ; weight of harvest picked in the plot ; harvest weight of the day. Weight information is great for cellar & trucking management.

DATA SOLUTION	Function	GPS receiver required	Option needed
EASY .pilot	Automatic row following	NO	
EASY .turn	Turning steering number reduction	NO	EASY pilot
NEO mass	On board and weighing system	NO	
NEO map	Real time yield mapping system	YES	NEO mass
NEO track	Row tracing system	YES	



NEOmap



Yield cartography

NEOmap is a yield mapping system totally integrated and easy to use.

Yield mapping enables you to monitor the plot yield and to assess yield variation. Based on the information reported you can put in place necessary action (fertilizer input, confined spraying treatments; irrigation ..)

GREGOIRE exclusivity - The **NEOmap** is the first on board yield mapping system developed for the vineyard industry. All yield map using **ISOXML** format.



ARC² picking head

For many years **GREGOIRE** have developed innovative solutions to optimize harvest quality and ease your daily work. Known for being the smoother ever built **GL7 & GL8** will be no exception and set new picking standard with numerous technical innovations.

« The smoothest picking head ever built ! »

Large picking tunnel

650 mm width picking tunnel enable **GL7** and **GL8** to work in all kind of vineyard configuration with a total efficiency (Minimal pruning, VSP trellis, Sprawl ..) preserving plant integrity.

GL7 / GL8 picking tunnel the largest available on the market also ease access for various operations : maintenance, setting, cleaning ...



Double pendulum system

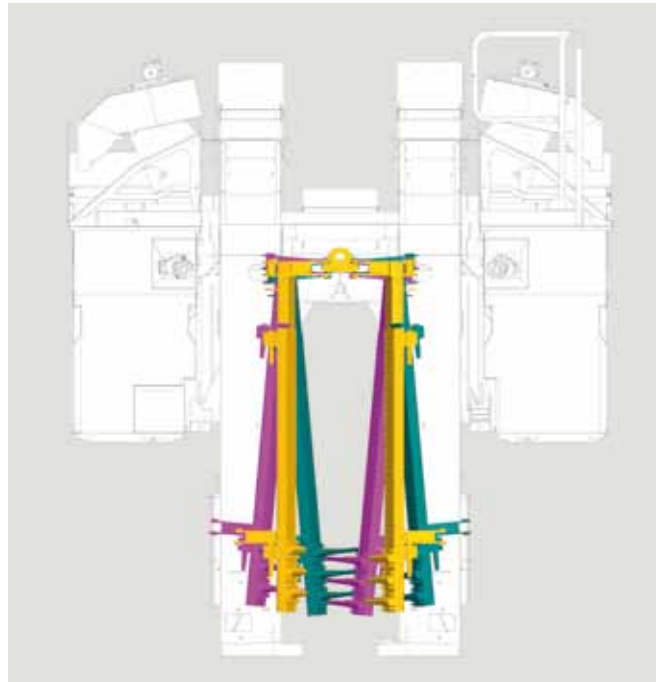
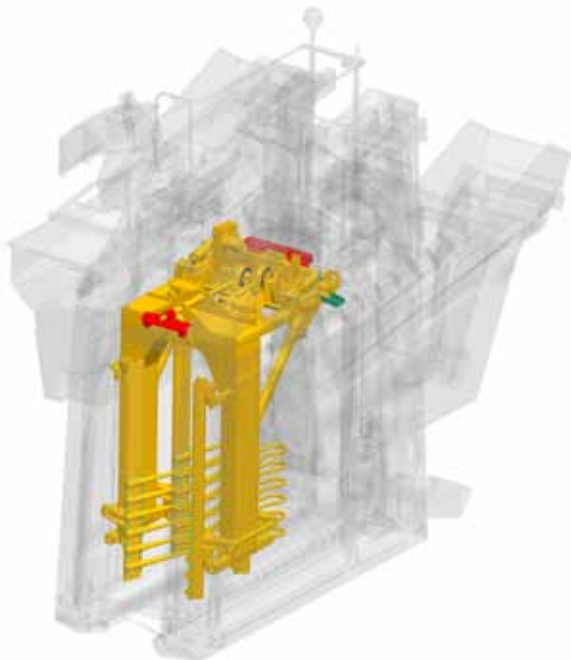
GL7 and **GL8** harvesting module comes with a “double pendulum” system. The picking head is fitted on pivot and conveyors oscillate in relation to tractor base. With this double pendulum picking and collecting module follow perfectly the vines and offer you the best pick on the market without damage to the vine.

Pendulum system is automatically locked activating road mode

Suspended picking head

To go further with vineyard respect and picking quality **ARC²** picking head is suspended. The whole picking system is fitted on silent bloc absorber to limit vibration and thus :

- Keep the best shaking motion
- Preserve driver from interference vibration and improve driving comfort



ARC² shakers

Thanks to their exclusive shape **ARC²** offer four different working areas, with specific function :

- Compression area : compress without damaging the vegetation till the pinch setting value.
- Adjustable active zone : main shaking area, adjustable according to grape maturity and vineyard configuration.
- Decompression area : trellis decompression area, grapes hold inside vegetation are released.
- Shaking start again : right after the post, no lost grape around the post.

Double shacking support

ARC² shakers are driven by two checking support that works simultaneously. Checking frequency and stress is homogenously shared all along the shakers allowing best picking result and shaker longevity

Autopin^{ch}

Automatic
pinch setting



Pinch setting is crucial to optimize picking quality and to preserve vines integrity. **Autopin^{ch}** is an automatic and continuous adjustment of the pinch distance. Distance between shakers is fine tuned according to vine density to achieve the best picking result.

FAST FIT

FAST FIT system enable a quick mount and an easy setting of the shaker active zone. Number of shakers can be easily adapted to different grape area height.



Scales

Scales that assure grape collection are fitted on a pneumatic rail. Adjusting the air pressure can increase or reduce the rigidity of the scales determined by the vineyard: scales lifespan is optimized, impact to young plant is reduced.

Quick catcher tray angle setting allow you to adapt scale slope according vineyard configuration, yield, working speed.

Two catcher tray length are available according to working intensity required :

- **GL7** : 2x20 scales, water tightness length : **2400 mm**
- **GL8** : 2x21 scales, water tightness length : **2600 mm**

Harvesting height less than 15cm

Thanks to the exclusive harvesting module design, **GL7** and **GL8** starts picking **15cm** from the ground. Even lowest grape are picked.

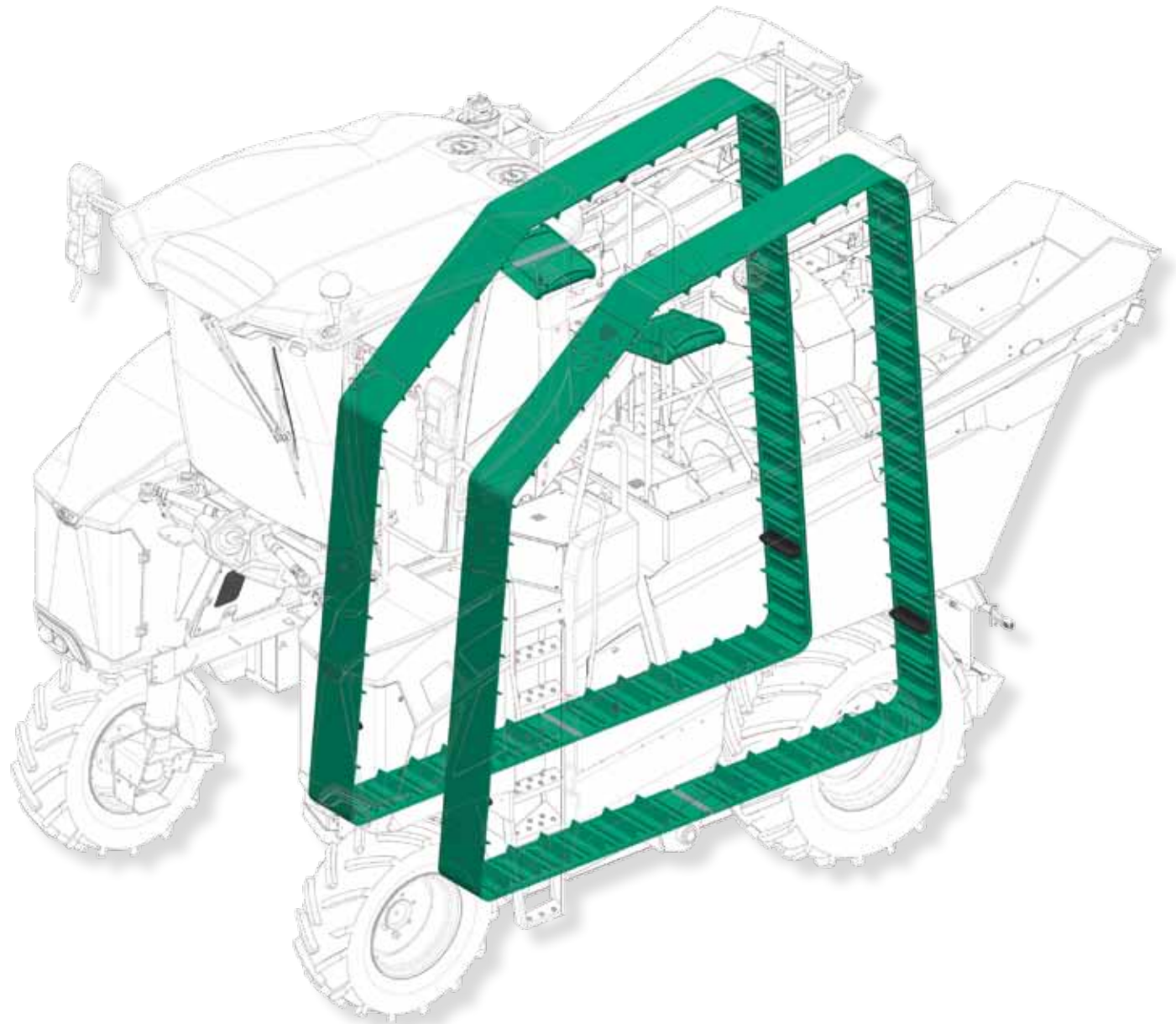


Conveying

Two large belts **32 cm** in width, forming a loop continuously carrying the harvest to the top of the machine. Belt speed is adjustable from driver cab independently of harvester forward speed. The harvest will always lay flat on the belts where the fans will remove MOG while retaining juice and respecting the berry.

Their unique design provides an extreme resistance to damage and tears and allows repairs. Special structures welded on the belt convey grape without crushing or juice loses.

With the conveyor system it brings the grapes to the front parts of the bins. Unloading areas are composed of stainless steel slope or kick off belt and these are accessible for cleaning thanks to the top platform. The Conveyor is driven by a pulley system which self tensioning. This ensures a positive torque relative to yield and load which protects belt life.



Secondary belts

GL7 or **GL8** with 4 fans or with **EASYclean** integrates kick off belts. Large belt size used (500mm : 4 fans ; 380mm : **EASYclean**) improves the grapes flow and facilitate cleaning.

Cleaning fans

The **GREGOIRE** harvest cleaning principle (fans) is simple : performs cleaning as soon as possible . It removes leaves and MOG (Materials others than grapes) These are extracted before they get inside the conveying loop.

Optional top fans

To complete cleaning you can equip **GL7** and **GL8** with 2 top fans. These are fitted on top of each bin and fine-tune cleaning just before harvest falls into the bins.

GL8 are equipped as standard with four fans.



Standard bottom fans

GL7 and **GL8** are equipped with 2 bottom fans. These extract leaves right after shaking. To perfect harvest cleaning extractors will remove canes, prop and all dead wood.

GL7 and **GL8** bottom fans integrate a height adjustment (50mm) to adapt cleaning intensity to picking conditions : grape load, high working speed.

Cane extractors

To avoid bulky foreign body, dead woods to enter the conveying routing **GL7** and **GL8** are equipped with cane extractors , this improve s cleaning and will protect belting from possible damages.



Sorting quality

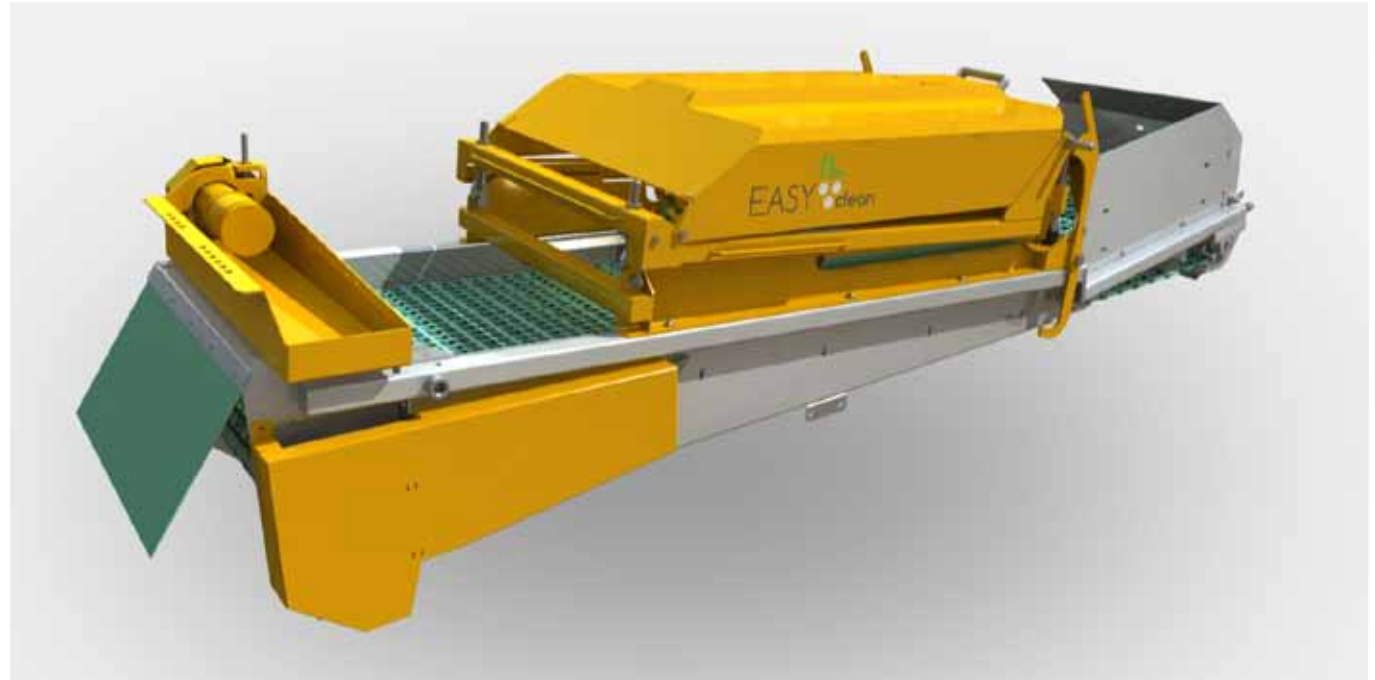
EASYclean sorting system is available on **GL7** and **GL8**. Simplicity of use and cleaning quality sets a new reference for linear on board sorting systems

EASYclean is simple :

- Food quality plastic chain covering the whole bin length
- Destemming head with oscillating fingers

EASYclean introduce a new harvest quality reference. Tests performed by IFV (official French wine institute – 2016 with Syrah) proves total **EASYclean** efficiency.

EASYclean : **99,8%** cleaning quality on bins.



EASYclean



Head lift up

Depending on your wine making priority **EASYclean** can be used or not just by inverting the mesh belt rotating direction. **EASYclean** lift up can be operated independently from the cab to facilitate cleaning and maintenance operation. This sequencing enables to extract residual waste and ease grape flow out of the bin. Each **EASYclean** unit is fitted with a jamming sensor with a alerting the operator in the cab.

Settings

To offer simple working principle, you must have EASY settings. 2 main settings are necessary :

- Chain rotation speed (in relation to yields and working speed)
- Oscillating frequency (in relation with de-stemming level)

These 2 settings are adjustable from the cab touch screen.

Stocking

To face productivity and efficiency the **GL7** and **GL8** comes with a generation bin, larger and connected. In real time grape quantity inside the bins can be monitored

Productivity objectives today are made more efficient. **GL7** and **GL8** comes with a new bins generation, big quantity and also smart. Depending on the version you choose, you can be informed with real time data in relation to stocking and quantity.

Large bin capacity

GL7 and **GL8** lateral stainless steel bins offer the large storage capacity available on the market. Dumping phase are less, and productivity is increased.

Large bins :

- Capacity : **2 x 2000L**
- Width bin to bin : **3000 mm**

Narrow bins :

- Capacity : **2 x 1500L** (notched bins)
- Width : **2660 mm**



Full control

To control bin filling bins are fitted with an ultrasonic bin level sensor. Bin level is displayed in real time inside the cab on the touchscreen. An adjustable alarm can be set when a certain bin level is reached

Rear camera

A rear camera is fitted at the top of the harvesting module. It allows to control the emptying process and the good trailer alignment. Manoeuvres are quick and mistakes are avoided.

Automatic bins filling augers

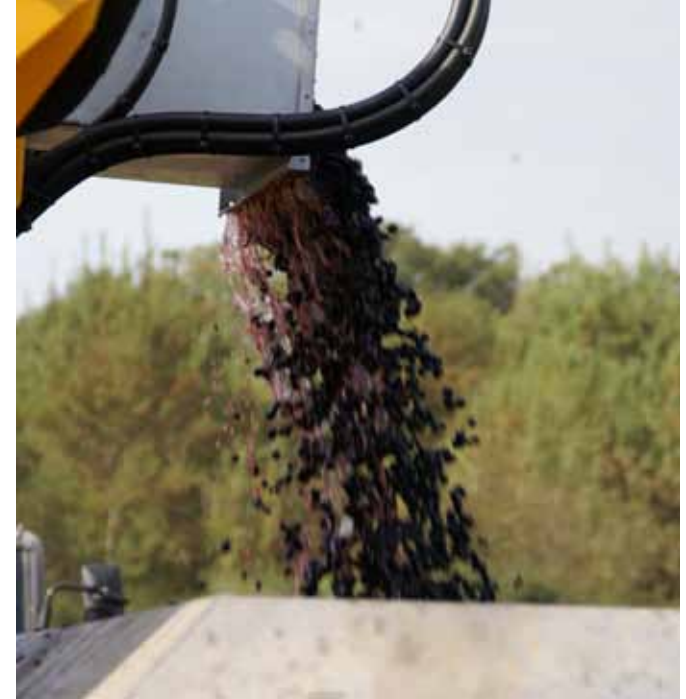
Bins are equipped with filling auger hydraulically driven. It optimize the bin's filling by spreading the harvest into the bin. To avoid useless harvest crushing, augers could be stopped, driven forward or backward automatically.

Bin to bin width

- GL7** and **GL8** fits all vineyard dimension with different bins capacity :
- **3000 mm** (large bins 2x2000L)
 - **2660 mm** (notched bins 2x1500L)

3m Emptying height

GL7 and **GL8** comes with a **3m** dumping height, allowing emptying in truck trailers or highest tractors trailers.



Access and maintenance

Maintenance is an integral part of a typical harvest day. Because a controlled maintenance means optimized working hours, from the really beginning GL7 and GL8 have been design to ease every cleaning and maintenance operation.

Hoods

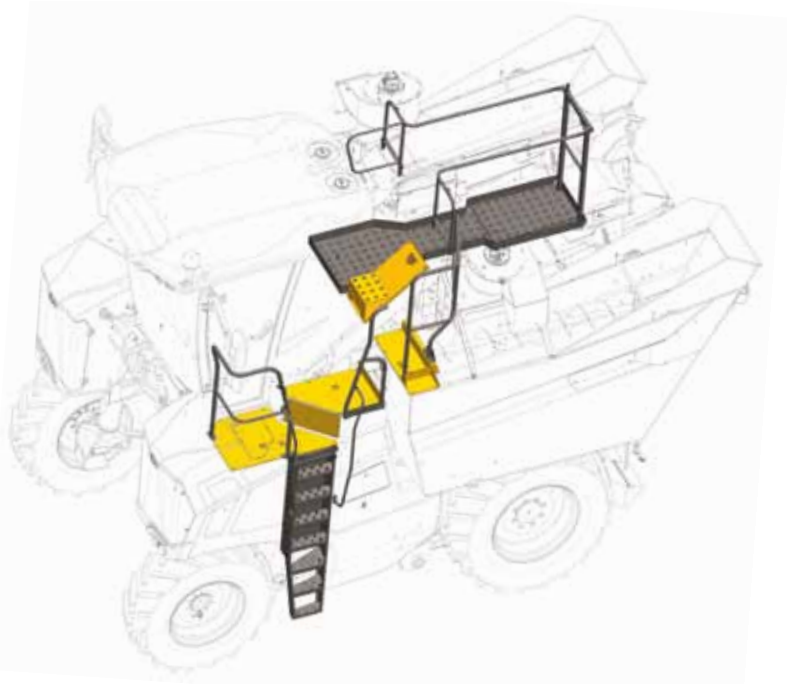
Not less than **20** hoods, with large opening are available on **GL7** and **GL8**.

Access and visibility are optimized to reach all main tractor base and harvesting systems (hydraulic and electric components, engine, shakers, belts). Maintenance is easy and washing is fast.



Oversize top platform

GL7 and **GL8** integrate oversized top deck. It provides you with a total freedom of movements for maintenance and washing operations. On the left hand side of the cab the tractor base deck is accessed by the ladder. On the picking head top a 2 meter platform runs from the front to the back of the machine .



Integrated washing line

To ease cleaning operations, **GL7** and **GL8** are equipped with an integrated washing line. A low water connector allow you to connect your water supply and to provide water directly to the top platform. Water supply can also be easily connected to both top fans to ease cleaning. You earn time and save water.



Separated control box

Machines control is complete with a separated control box located on the top deck, this external command gives you access to machine function without having to enter the cab : bin lifting, picking head start up ...

Peripheral storage

GL7 and **GL8** comes with peripheral storage, ideally positioned around the machine, tools and machine components (greasing pump, tools, rods) can be easily stored.

Greasing

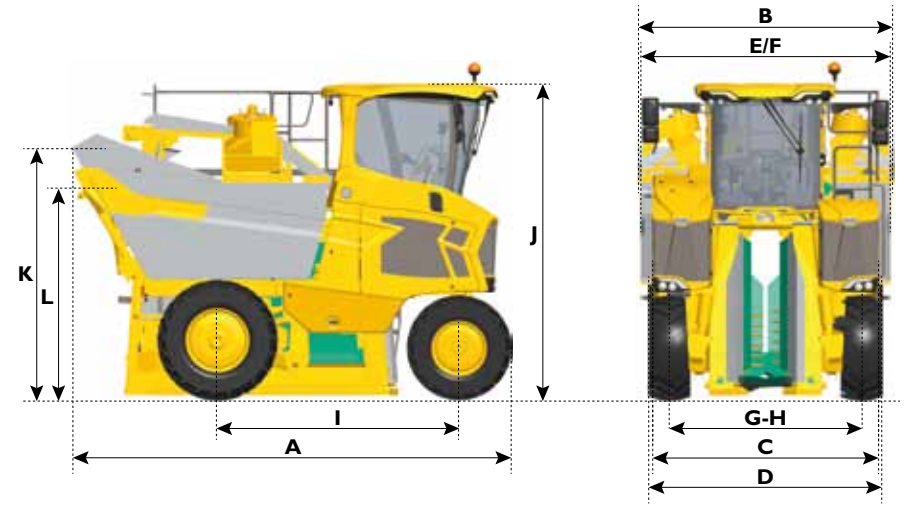
After washing, greasing is recommended. All greasing point are gathered in strategic and easy to access areas. Manual greasing is quick and no greasing forgotten.

Technical data

Models	GL7.4	GL8.4	GL8.6
Vineyard type			
Minimum row spacing	(m) 1,60	1,70	1,70
Ground clearance	(m) 1,95	1,95	1,95
Tractor base			
Fuel tank capacity	(litres-gal US) 260 - 68,7	260 - 68,7	260 - 68,7
AdBlue® tank capacity	(litres-gal US) 20 - 5,3	20 - 5,3	20 - 5,3
Elevation / slope correction	(mm / %) 600 / 28%	600 / 28%	600 / 28%
Automatic slope correction management	●	●	●
Automatic ground following	○	○	○
Steering system without spreader	●	●	●
Steering radius	(m) 3,75	4	4
Automatic park brakes	●	●	●
Hydraulic oil flow : picking head, conveyors, fans circuits	(l/min) 75 / 75 / 36	75 / 75 / 36	75 / 75 / 36
Engine			
Brand	DEUTZ	DEUTZ	DEUTZ
Emissions	Stage 4 / Tier 4 Final	Stage 4 / Tier 4 Final	Stage 4 / Tier 4 Final
Power ISO / engine speed	115Kw / 156ch @ 2100 rpm	115Kw / 156ch @ 2100 rpm	140Kw / 190ch @ 2100 rpm
Maximal torque / engine speed	609 Nm @ 1600 tr/min	609 Nm @ 1600 tr/min	825 Nm @ 1450 tr/min
Automatic rpm management	●	●	●
Cylinders	4 in line	4 in line	6 in line
Engine size	(cm³) 4100	4100	6100
SCR catalyst	●	●	●
Transmission			
Oil tank capacity	(litres - gal US) 110 - 29	110 - 29	110 - 29
Filtration	Pressure + return	Pressure + return	Pressure + return
Hydrostatic transmission Twin Lock 4 wheels drive	●	●	●
Speed management from the joystick (impulse + linear position + approach mode)	●	●	●
Automatic anti-spinning Front/Rear (torque distributor)	●	●	●
AUTOSPEED : cruise control	●	●	●
Automatic rpm optimization system on road and work mode	●	●	●
Road speed 25 km/h / 15,5 mph with 4 wheels drive	●	●	●
Models			
DATAsolution			
GPS SR-10 receiver	○	○	○
NEOmap : yield mapping system (includes NEOmass)	○	○	○
NEOmass : weighing system	○	○	○
NEOtrack : row tracing system	○	○	○

Models	GL7.4	GL8.4	GL8.6
Cab			
Central cab	●	●	●
Cab size	(m²) 2,2	2,2	2,2
Cab glazed surface	(m²) 5	5	5
ROPS structure protection	●	●	●
CAT 4 driver protection(dust, aerosol and fumes)	○	○	○
Automatic, reversible air co and cooling compartment	●	●	●
2 USB plugs	●	●	●
Radio Bluetooth handsfree	●	●	●
Integrated 2 loudspeaker system	●	●	●
Pneumatic seat great comfort	●	●	●
Cab storage compartment	3	3	3
Steering wheel column with height adjustment and 2 pivots	●	●	●
Outside electric mirrors	●	●	●
Front, lateral and rear shades	●	●	●
Controls			
Multifonction joystick and arm rest integrated to seat	●	●	●
Multifunction and ergonomic joystick with backlighting	●	●	●
Free configuration of joystick contactors	●	●	●
Lateral browsing adjustment wheel + shortcuts	●	●	●
Touch and color screen i-Monitor with backlighting and adjustable position	●	●	●
Touch screen i-Monitor size	(inches) 12"	12"	12"
ISOBUS compatibility	●	●	●
Advanced display on i-Monitor with miniviews finger slides	●	●	●
Nominatives records (hours, hectares, ...) with USB extraction	●	●	●
Nominatives settings with USB extraction	●	●	●
EASYPilot : Automatic row following system with 3D cameras	○	○	○
EASYturn : steering wheels revolution reduction (EASYPilot needed)	○	○	○
Visibility			
Lights number (LED)	10	10	10
Lighting power (LED)	(lumen) 18 160	18 160	18 160
Cab door sill lightening	●	●	●
Flashing light automatic activation in road mode	●	●	●
Flashing light automatic activation when bins are full	●	●	●
LED alignment system integrated to cab structure	●	●	●
2 color cameras	●	●	●
EASY 360 : 360° cameras (broadcasted on additional screen)	○	○	○

Models	GL7.4	GL8.4	GL8.6
Harvesting module and picking head			
Quick harvesting module coupling	●	●	●
All harvesting module functions controlled from cab	●	●	●
Double pendulum system (shacking + conveying) with automatic lock activating road mode	●	●	●
Suspended picking head thanks to 8 silentblocs	●	●	●
14 shakers ARC² with fast fixing FASTfit	●	●	●
AUTOpinch : automatic and continue pinch setting management	○	○	○
Scales number	2x20	2x21	2x21
Pneumatic catcher tray	●	●	●
Catcher tray length	(mm) 2400	2600	2600
Minimum harvesting height	(cm) - de 15	- de 15	- de 15
Quick adjustment of catcher trays angle	●	●	●
Tunnel width	(mm) 650	650	650
Belts width	(mm) 320	320	320
Belts hydraulically driven with adjustable speed and reverse	●	●	●
Picking function with low speed alarms	●	●	●
Cleaning			
2 bottom fans	●	●	●
Bottom fans height adjustment (50 mm)	ND	●	●
Vertical extractors	●	●	●
Dead wood deflector	●	●	●
2 top fans	○	●	●
Secondary belts high yields (top fans version)	(mm) 500	500	500
EASYclean : sorting system with oscillating fingers - 99,8% cleaning quality on bins	○	○	○
Secondary belts high yields (EASYclean version)	(mm) 380	380	380
EASyclean sorting system lift up	EASYclean version	EASYclean version	EASYclean version
Stocking			
Large stainless steel bins capacity	(litres) 4000 (2x2000)	4000 (2x2000)	4000 (2x2000)
Notched stainless steel bins capacity	(litres) 3000 (2x1500)	3000 (2x1500)	3000 (2x1500)
Bins capacity (large / notched)	(gal US) 1057 / 793	1057 / 793	1057 / 793
Bin level sensor with I monitor display (on i-Monitor)	●	●	●
Emptying height	(m) 3	3	3
Automatic bins filling auger	●	●	●
Access, maintenance and washing			
Centralized greasing	●	●	●
Shakers storage on rear conveyors	●	●	●
Tools box	●	●	●
Separated control box	●	●	●
Integrated washing line with water supplying on top platform	●	●	●



Models	GL7.4	GL8.4	GL8.6
Front tires available	360/70 R20 (Std) 320/70 R20 (Narrow) 380/70 R20 (Large)	380/85 R24 (Std)	380/85 R24 (Std)
Rear tires available	460/70 R24 (Std) 400/70 R24 (Narrow) 540/70 R24 (Large)	480/70 R28 (Std) 540/65 R28 (Large)	480/70 R28 (Std) 540/65 R28 (Large)
A - Total length - standard / EASYclean	(mm) 4947 / 5225	5251 / 5531	5251 / 5531
B - Overall width	(mm) 3000	3000	3000
C - Width engine hood	(mm) 2660	2680	2680
D - Wheel width narrow / standard / large	(mm) 2548 / 2660 / 2805	ND / 2761 / 2837	ND / 2761 / 2837
E - Width bin to bin 4000L	(mm) 2943	2943	2943
F - Width bin to bin 3000L (notched till 1,95m from the ground)	(mm) 2660	2660	2660
G - Front track - tires narrows / standard / large	(mm) 2061 / 2097 / 2098	NA / 2158 / NA	NA / 2158 / NA
H - Rear track - tires narrows / standard / large	(mm) 2143 / 2203 / 2270	NA / 2270 / 2307	NA / 2270 / 2307
I - Wheel base	(mm) 2730	2876	2876
J - Total height	(mm) 3700	3700	3700
K - Bin height	(mm) 2775	2919	2919
L - Bin discharge axle height	(mm) 2355	2500	2500

● : Standard
○ : Option
ND : Non Available

*Specifications are indicative, in order to constantly improve its products, GREGOIRE reserves the right to modify specifications without notice
** This literature has been compiled for worldwide circulation. While general information, pictures and descriptions are provided , some illustrations and text may include product, options and accessories NOT AVAILABLE in all regions.

GREGOIRE know-how to serve your vineyard

With over 30 years experience in the mechanization of vineyards, GREGOIRE offer a complete range dedicated to grape and olive harvesting and spraying.

Stay oriGinal !

To benefit from a high performance harvester and a constant reliability during the years it is important to maintain your machine with GREGOIRE Original spare parts. The Original spare parts offer your equipment a long lifetime. They are made to fit and have the right specifications.



The use of GREGOIRE Original spare parts will limit your risk of break downs and it also optimizes your lower cost of operation.



www.gregoire.fr



GREGOIRE G3



GREGOIRE ECOPROTECT



GREGOIRE G10.380



GREGOIRE

89, avenue de Barbezieux
CS70213 Châteaubernard
FR-16111 Cognac Cedex

Tel. +33 5 45 82 23 49

Fax. +33 5 45 82 94 43

contact@gregoiregroup.com

www.gregoire.fr

GREGOIRE